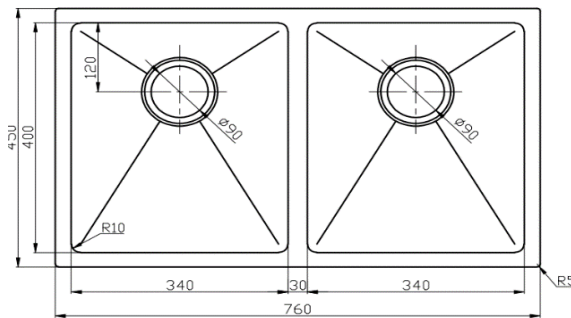
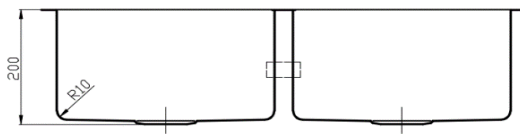


# SS 7645GB

## NIXON Double Bowl Undermount Sink

# SPECIFICATIONS



### CLEANING & MAINTENANCE:

All Sinks should be cleaned with mild detergent and water  
All Products must be cleaned with a soft cloth with soapy water, avoid waxes, solvents, abrasives, acids and other chemical based cleaners  
Warranty will be void if damages are caused by unsuitable cleaning products

### WARRANTY INFORMATION:

25 Year Parts or Products Replacement Warranty  
1 Year Replacement Warranty on Waste Plugs  
All products (Excluding Waste Plugs) have a full 1 year in house labour warranty from date of purchase

**ZENMO**  
Zen-inspired, Modern Living

**ADDRESS:** 42 Castro Way, Derrimut VIC 3026

**PHONE:** (03) 8390 6300

**OFFICE:** [ect\\_sales@outlook.com](mailto:ect_sales@outlook.com)

**SERVICE:** [ect\\_service@outlook.com](mailto:ect_service@outlook.com)

**WEBSITE:** [www.zenmo.com.au](http://www.zenmo.com.au)